



ACCESSORIES

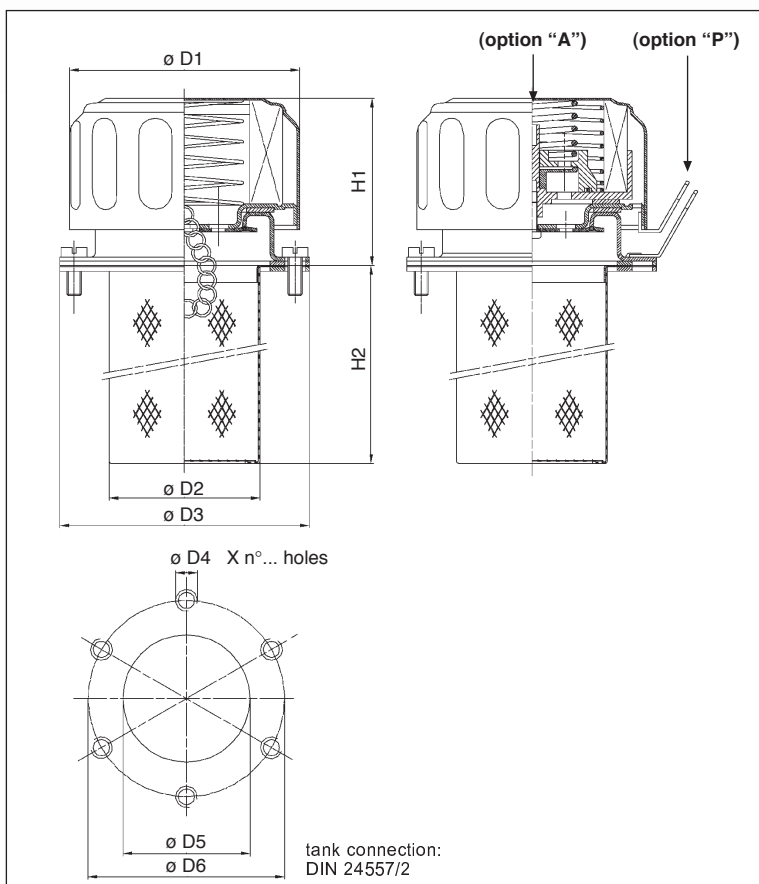
CFA

FILLING BREATHERS

Filling plugs with inbuilt air breather; flanged tank connection with standard dimensions; protection basket against ingress of coarse parts (removable for CFA23); zinc plated steel body and chrome plated steel cap; seals by cork (Buna N - Nitrile for pressurized version only).

Air filter element (not replaceable):
cellulose 3µm
polyurathan 10µm

For sizes CFA21 & CFA22 only the plug has a safety chain.



Is this datasheet the latest release? Please check on our website.



DIMENSIONS

	Filtr. µm	Flow rate (l/min)	D1	D2	D3	D4	holes n°	D5	D6	H1	H2
CFA11SWCCC	3	150	47	29	52	M5	3	31	41	48	64
CFA11SWCPE	10	300	47	29	52	M5	3	31	41	48	64
CFA21SWCCC	3	450	80	50	83	M5	6	52	73	57	78
CFA21SWCPE	10	750	80	50	83	M5	6	52	73	57	78
CFA22SWCCC	3	450	80	50	83	M5	6	52	73	57	148
CFA22SWCPE	10	750	80	50	83	M5	6	52	73	57	148
CFA23SWCCC	3	450	80	40	83	M5	6	42	73	57	100
CFA23SWCPE	10	750	80	40	83	M5	6	42	73	57	100

ORDERING AND OPTION CHART

C TYPE	C = ACCESSORY PRODUCT				C	C	C	C
F A FAMILY, SIZE & LENGTH					11	21	22	23
S MOUNTING PATTERN	S = DIN 24557/2 flange				S	S	S	S
PRESSURIZATION VALVE	W = without				W	W	W	W
	A = 0,35 bar				-	A	A	-
SEALS	C = sugheroil				C	C	C	C
	N = NBR Nitrile (with A option only)				-	N	N	-
FILTER MEDIA	CC = cellulose				CC	CC	CC	CC
	PE = polyurathan foam				PE	PE	PE	PE
ACCESSORIES	P = padlock holder				-	P	P	-